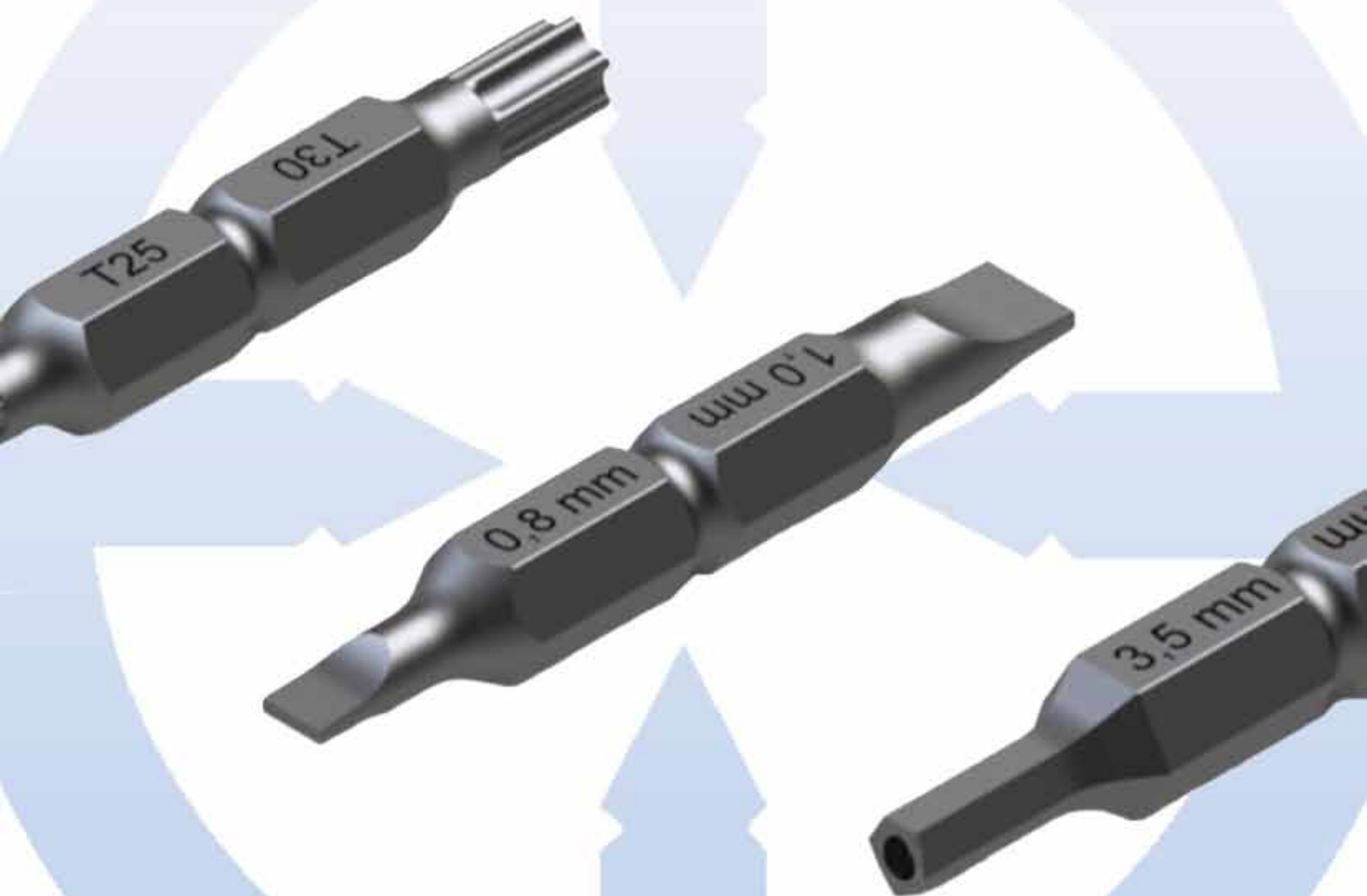


The Double Bit Screw Driver System



SD-ESR // THE DOUBLE BIT SCREWDRIVER SYSTEM

No need to dread implant removal.

A situation you have experienced time and time again: You plan for less than an hour of surgery to remove a plate and then ...

... there is a screw that cannot be loosened or a screw head for which no suitable screwdriver is readily available.

Thanks to our SD-ESR system, the described situation does not turn into an incalculable time factor, which shifts your subsequent surgical procedures into the evening: Whether a stuck mini, small or large fragment screw, the SD-ESR system allows you to handle even complicated screw removal safely and with ease.

Safe and easy

With our SD-ESR system you not only have the right screwdriver attachment for the screw to be removed at any time during surgery, you also have a system that is really easy and safe to use. In cases where other systems fail to remove a screw, you are just getting started with the SD-ESR system. The extremely robust instrument lies perfectly in the hand and enables you to remove truly stuck and overly tight screws.

Cost-efficient

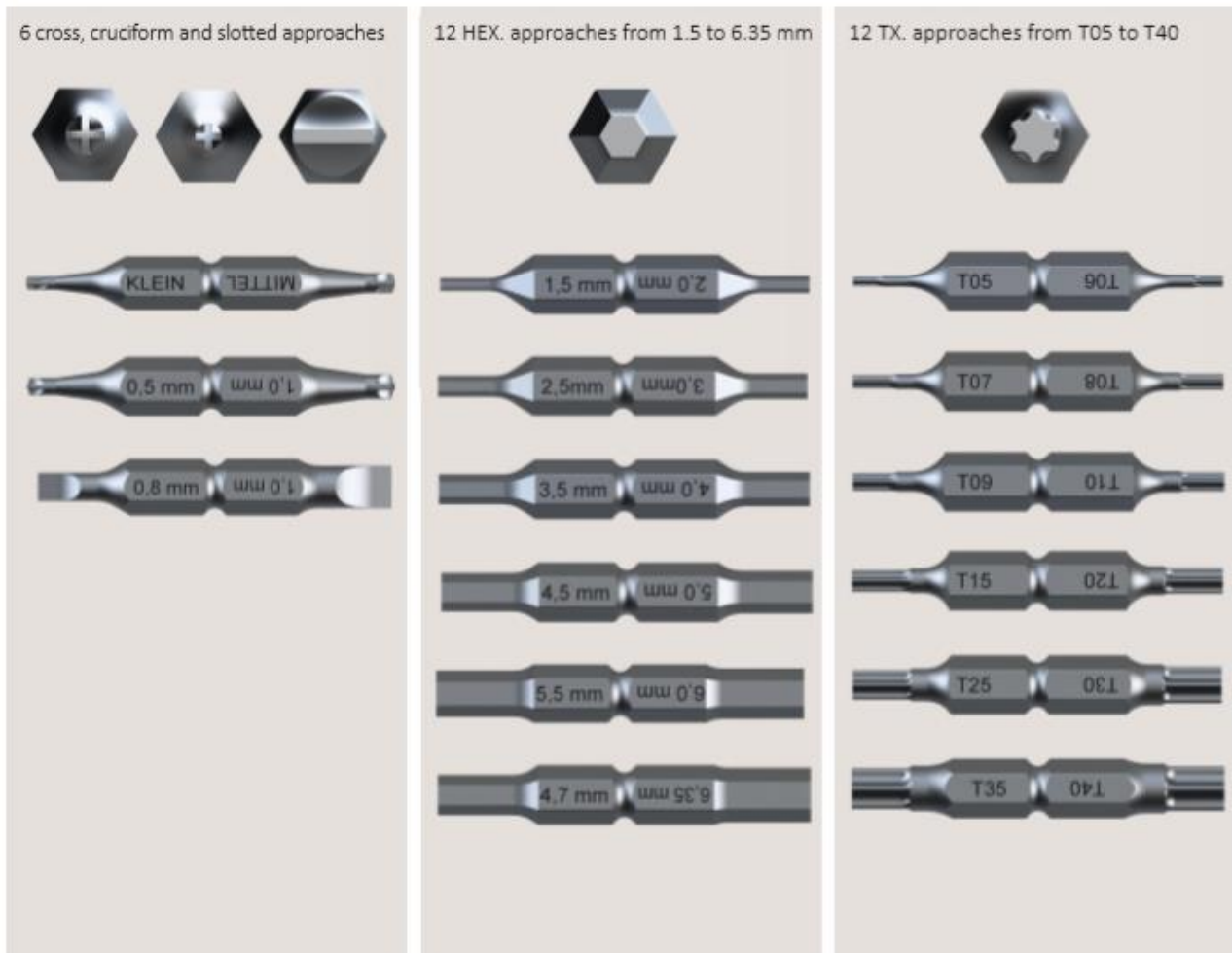
Long surgeries drive up costs. Depending on the study, the costs for one minute of surgery are determined as between € 10.00 and € 22.00. If you reduce the surgical time by only 10 minutes with the aid of our SD-ESR system, you save between € 100.00 and € 220.00. This also eliminates the cost of the leased systems you need to remove an implant that is not compatible with your previous system.

ADVANTAGES OF THE SD-ESR // DOUBLE BIT SCREWDRIVER SYSTEM

- Always the right screwdriver for all screws.
- 30 different screwdriver attachments.
- Not a single use product! It is possible to check intraoperatively which extractor fits best without incurring costs.
- Handle with ratchet function for comfortable working.
- Eccentric turn-out bar for very tight screws.
- Reduces costs and working time.

SD-ESR // THE DOUBLE BIT SCREWDRIVER SYSTEM

30 different screwdriver attachments – the right attachment for every implant removal.



IMPORTANT!

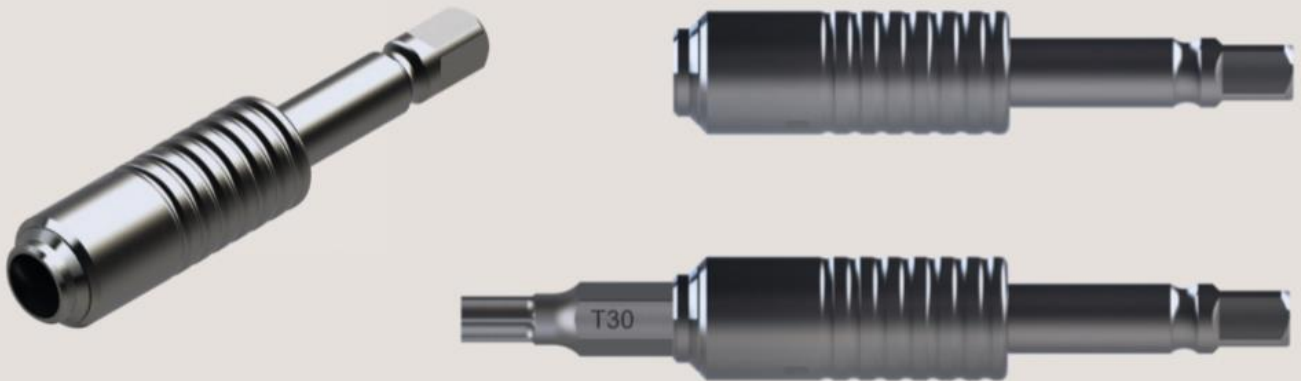
Please check the bits for damage after each use.

Damaged bits must be replaced.

SD-ESR // THE DOUBLE BIT SCREWDRIVER SYSTEM

Perfect and well-dimensioned instruments for fatigue-free working.

Thanks to our double-bit quick coupling „**ESR-IN7**,” the bits are clamped in place in no time at all. Simply pull back the grooved sleeve, push in the bit and you’re done!



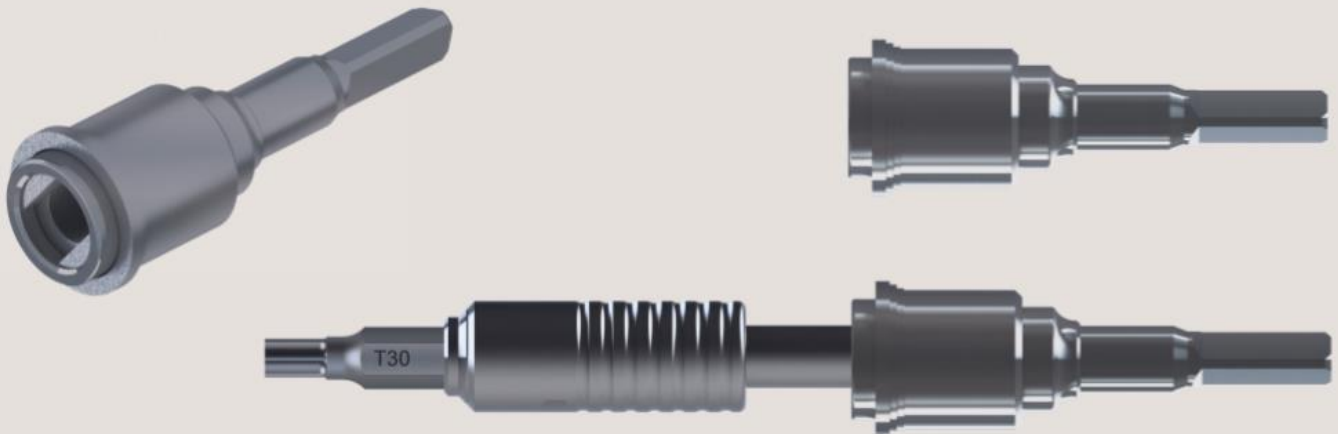
The right handle is needed for the removal of screws. Our handle „**ESR-IN12**” is comfortable to hold and grip and the ratchet function makes removing screws much easier!



SD-ESR // THE DOUBLE BIT SCREWDRIVER SYSTEM

Comfortable removal even with screws located in deep regions.

Use our drill adapter „**ESR-IN6**“ clamped in a 3-jaw chuck to comfortably unscrew screws. Fast turning guaranteed!



Use our extension adapter „**ESR-IN3**“ in case you need to remove screws surrounded by deep soft tissue. We thought of everything!



SD-ESR // THE DOUBLE BIT SCREWDRIVER SYSTEM

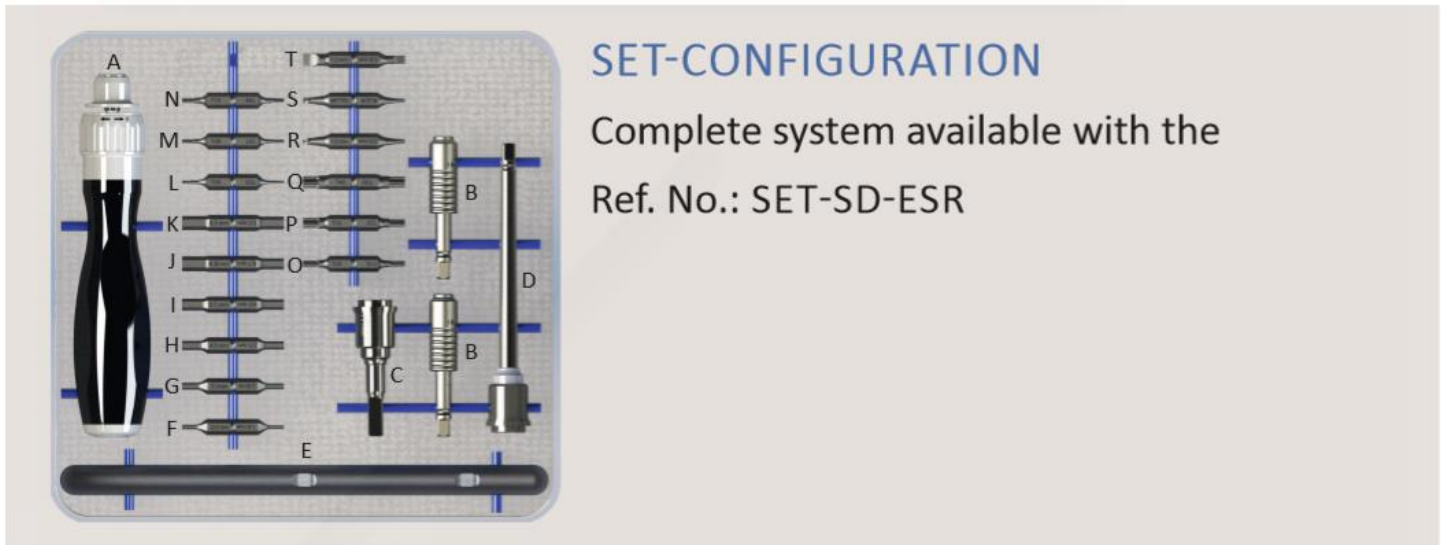
In case of really stuck or jammed screws.

With tightly stuck screws a handle is often not enough to loosen the screws. If this is the case use the eccentric turn-out bar „**ESR-IN5**“ for max. torque!



OVERVIEW

One tray – all options.

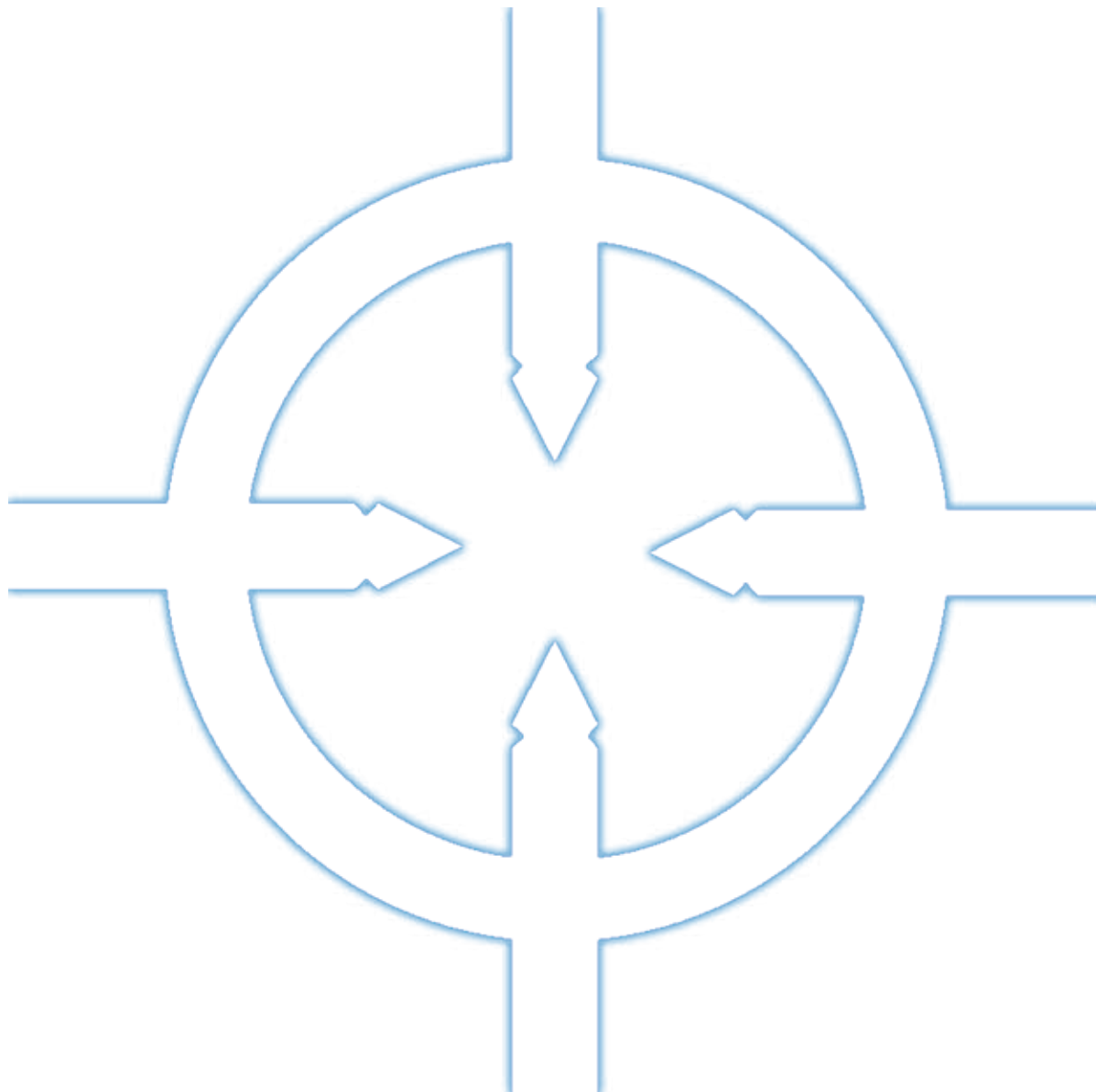


Ref. No.	Description		Quantity
ESR-IN12	I-Handle w. ratchet 1/4" conn.	(A)	1
ESR-IN7	Quick coupling f. double-bits	(B)	2
ESR-IN6	Adapter for drilling machine 1/4", triangular end	(C)	1
ESR-IN3	Distance adapter medium	(D)	1
ESR-IN5	Crossbar	(E)	1
ESR-HXHX1520	HEX.double-bit 1.5/2.0 mm	(F)	1
ESR-HXHX2530	HEX.double-bit 2.5/3.0 mm	(G)	1
ESR-HXHX3540	HEX.double-bit 3.5/4.0 mm	(H)	1
ESR-HXHX4550	HEX.double-bit 4.5/5.0 mm	(I)	1
ESR-HXHX5560	HEX.double-bit 5.5/6.0 mm	(J)	1
ESR-HXHX6347	HEX.double-bit 6.35/4.7 mm	(K)	1
ESR-TXTX0506	TX.double-bit 5.0/6.0 mm	(L)	1
ESR-TXTX0708	TX.double-bit 7.0/8.0 mm	(M)	1
ESR-TXTX0910	TX.double-bit 9.0/10.0 mm	(N)	1
ESR-TXTX1520	TX.double-bit 15.0/20.0 mm	(O)	1
ESR-TXTX2530	TX.double-bit 25.0/30.0 mm	(P)	1
ESR-TXTX3540	TX.double-bit 35.0/40.0 mm	(Q)	1
ESR-CRU0510	Cruciform double-bit 0.5/1.0 mm	(R)	1
ESR-KRZ0203	Cross drive double-bit small/medium	(S)	1
ESR-FLAT0810	Slot double-bit 0.8/1.0 mm	(T)	1
TRAY-SD-ESR-INO	SD-ESR instrument tray f. screwdriver system 250x240x60 mm		1
CL-STANDARD	Lid f. tray 250x240 mm		1

Recommended sterile container for SET-SD-ESR

C-310-135	1/2 sterile container, lid perforated/bottom non perforated, silver, outside 285x280x135 mm, inside 262x260x116 mm
-----------	--





Alumedica GmbH

Schlemmersbrühlstraße 14
D - 78187 Geisingen

fon +49 (0)7704 60 60

fax +49 (0)7704 60 61

info@alumedica.com

www.alumedica.com

Ref.No de/en_2
2019-06-14